

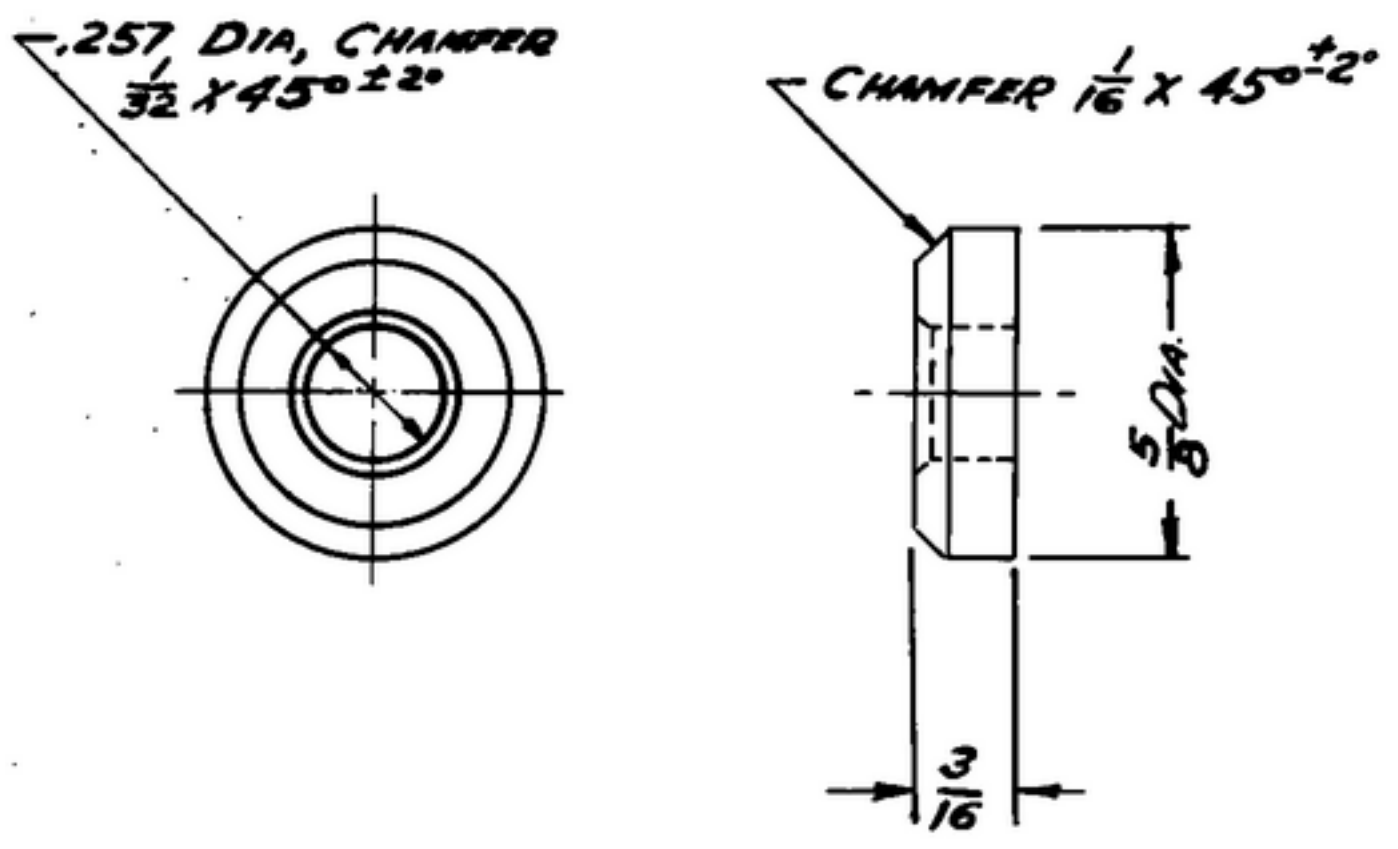
C 1112 1540 1027 002

NOTICE: WHEN GOVERNMENT DRAWINGS, SPECIFICATIONS, OR OTHER DATA ARE USED FOR ANY PURPOSE OTHER THAN IN CONNECTION WITH A DEFINITELY RELATED GOVERNMENT PROCUREMENT OPERATION, THE UNITED STATES GOVERNMENT THEREBY INCURS NO RESPONSIBILITY NOR ANY OBLIGATION WHATSOEVER AND THE FACT THAT THE GOVERNMENT MAY HAVE FORMULATED, FURNISHED, OR IN ANY WAY SUPPLIED THE SAID DRAWINGS, SPECIFICATIONS, OR OTHER DATA IS NOT TO BE REGARDED BY IMPLICATION OR OTHERWISE AS IN ANY MANNER LICENSING THE HOLDER OR ANY OTHER PERSON OR CORPORATION, OR CONVEYING ANY RIGHTS OR PERMISSION TO MANUFACTURE, USE, OR SELL ANY PATENTED INVENTION THAT MAY IN ANY WAY BE RELATED THERETO.

NOTE:
 *FOR INFORMATION ONLY, CONTRACTOR MAY AT HIS OPTION DEVIATE FROM THESE PROCESS DETAILS

***SWE APPROVAL**
 SYN PR10042-7

REVISIONS			
SYM	DESCRIPTION	DATE	APPRO
A ₂	A ₁ -NOTE 1 WAS 'AN-S-771, ADDED NOTE 2; A ₂ -ADDED APPL. SM-D-249134, SC-DL-248775.	19 OCT. 59	42428 -59-AJ REV PH



(A₁)

- NOTES:**
1. STEEL COMP. 303S, COND B, PER SPEC. MIL-S-7720.
 2. FINISH: E 300 PER MIL-F-14072.

(A₂)

REQD	PART NO.	DESCRIPTION	QTY	UNIT	MARK SPEC
LIST OF MATERIAL					
		UNLESS OTHERWISE SPECIFIED	AUTHENTICATION		
		DIMENSIONS ARE IN INCHES	DRAWN 14226-PH-51-93		
		TOLERANCES ON	TRACED PHOTO		
		FRACTIONS DECIMALS ANGLES	CHECKED Rpm		
		$\pm \frac{1}{64}$ $\pm .005$ —	VERIFIED PD BR		
SM-D-249134	SC-DL-248775		APPROVED PD BR		
SM-D-188444	SC-DL-188431		REVIEWED PME		
SM-D-188389	SC-DL-188369		DATE 23-MAR-55		
NEXT ASSY	USED ON		SCALE 2/1		
APPLICATION					

WASHER

SIGNAL CORPS ENGINEERING
 LABORATORIES
 FORT MONMOUTH NEW JERS
SM-B-188389

WHEN REFERRING TO THIS DRAWING STATE DRAWING NO., APPLICABLE ISSUE SYMBOL, IF ANY, AND DATE